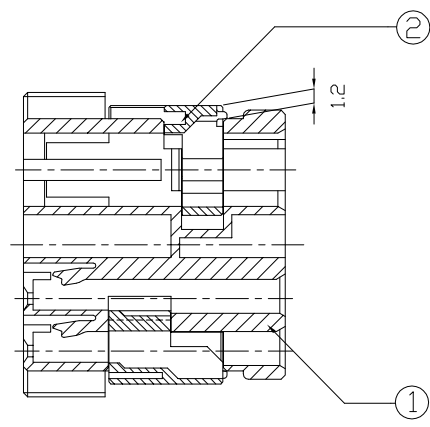
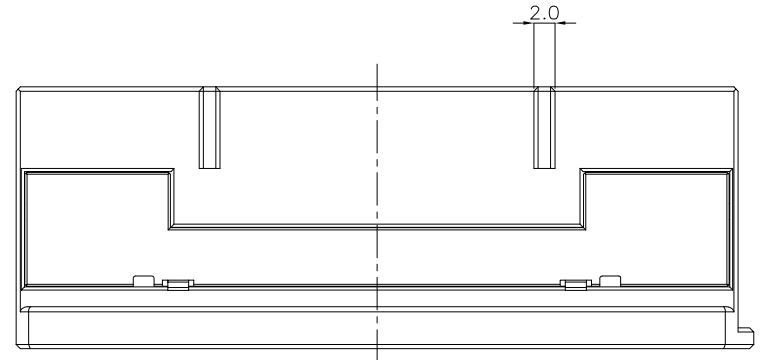
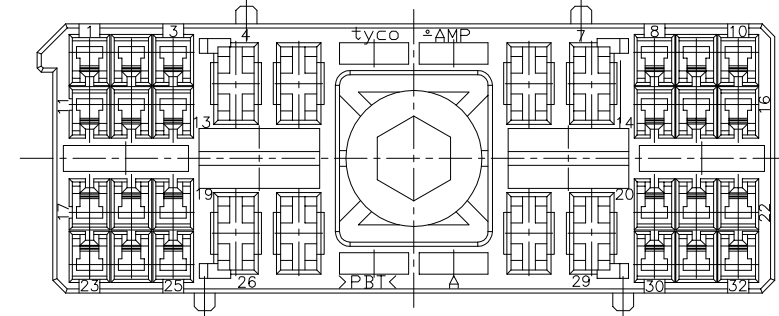
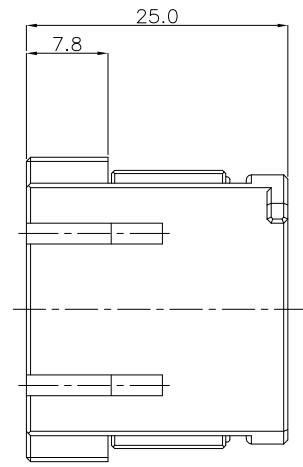
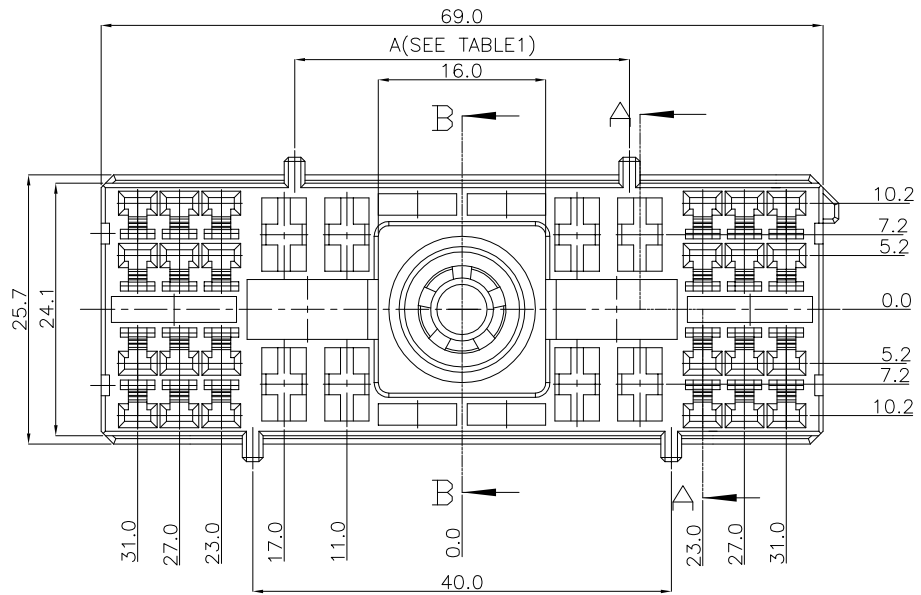
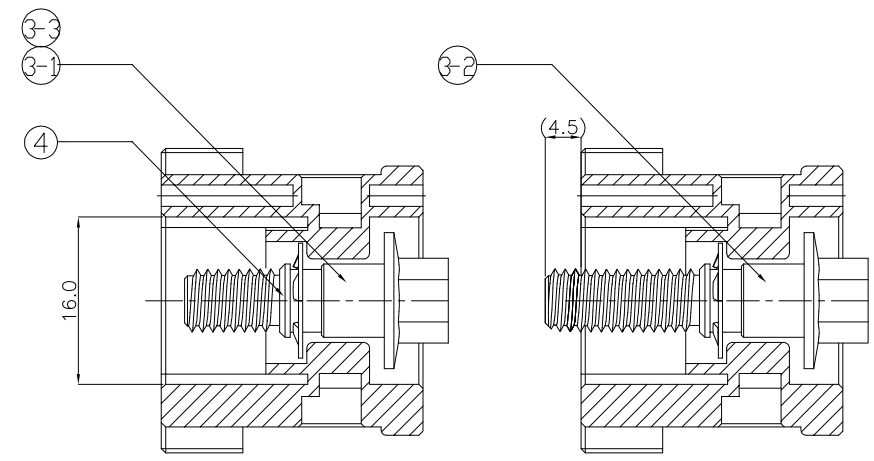


THIS DRAWING IS UNPUBLISHED. RELEASED FOR PUBLICATION
 © COPYRIGHT BY TYCO ELECTRONICS CORPORATION, ALL RIGHTS RESERVED.

REVISIONS					
P	LTR	DESCRIPTION	DATE	DWN	APVD
	B	REVISED (ECR-08-023105)	01.OCT.'08	YH	JK
	C	REVISED (ECR-13-015125)	26.SEP.'13	JM	HG



SECTION A-A



SECTION B-B

ASSY P/N	DESCRIPTION
8-936321-4	090/SPT HYB 32P PLUG ASS'Y(A=20mm/BROWN)
8-936321-2	090/SPT HYB 32P PLUG ASS'Y(A=32mm/BLACK)
7-936321-3	090/SPT HYB 32P PLUG ASS'Y(A=26mm/GRAY)
Y-936321-Z	090/SPT HYB 32P PLUG ASS'Y

COLOR	REMARK
YELLOW	
BROWN	
GRAY	
BLACK	
WHITE	

TABLE1

4-936322-X	14.0
3-936322-X	20.0
2-936322-X	26.0
1-936322-X	32.0
0-936322-X	38.0
Y- P/N -Z	A

NOTES.

- APPLIED CONTACT P/N ;
090 II - 368083, 368084, 368085
S.P.T - 927839, 927827, 927833, 927824
090 III - 1743654, 1743655, 1743656
- BOLT TORQUE: MAX 0.6~0.8Kg.m

NO	DESCRIPTION	MATERIAL	COLOR	Q'TY
④	PUSH NUT(NEW)	SUS 304(3/4H)	-	1 1 1 1
③-3	BOLT(8mm)	SWCH10A	-	1 1 - -
③-2	BOLT(7mm)-LONG	SWCH10A	-	- - 1 -
③-1	BOLT(7mm)	SWCH10A	-	- - - 1
②	DBL HSG	PBT	YELLOW	2 2 2 2
①	32P PLUG HSG	PBT	SEE TABLE1	1 1 1 1

THIS DRAWING IS A CONTROLLED DOCUMENT FOR TYCO ELECTRONICS CORPORATION
 IT IS SUBJECT TO CHANGE AND THE CONTROLLING ENGINEERING ORGANIZATION
 SHOULD BE CONTACTED FOR THE LATEST REVISION.

DIMENSIONS: MM
 TOLERANCES UNLESS OTHERWISE SPECIFIED:
 0 <XX<10 ± 0.2
 10<XX<30 ± 0.25
 30<XX ± 0.3
 ANGLES ± 3°

3rd ANGLE PROJECTION
 MATERIAL: SEE TABLE
 FINISH: SEE TABLE

DWN: JM JEDN
 CHK: JW JUNG
 APVD: HG CHD
 PRODUCT SPEC: -
 APPLICATION SPEC: -
 WEIGHT: -

NAME: 090/SPT HYB 32P PLUG ASS'Y

SIZE: A2 CAGE CODE: 00779 C=936321 DRAWING NO: 936321 RESTRICTED TO: -

CUSTOMER DRAWING SCALE: 1/1 SHEET: 1 OF 1 REV: C